



AQUACOLORS POOL LIGHT | 2"

Brightest Pipe Light
Brilliance That Lasts
Passive Convection Cooling
Diffused And Even Light



POOL LIGHTING SYSTEMS



P/J/H MODES



350 SQFT COVERAGE



EASY INSTALL

AQUACOLORS POOL LIGHT | 2"

ENGINEERED FOR MAXIMUM HEAT DISSIPATION

Stainless Steel Heatsink Core:

Crafted from solid marine-grade stainless steel for superior corrosion resistance and high thermal conductivity.

Patented Cooling Groove Design:

A precision-machined groove system in the heatsink creates a forced water-flow channel – guiding cooler water from the bottom of the fixture upward as the light operates.

Natural Water Circulation Effect:

This passive "chimney" action continuously moves cooler pool water over the heatsink surface, maintaining lower LED junction temperatures.

Up to 40% Lower LED Operating Temperature:

Compared to standard sealed polymer housings – extending LED lifespan and maintaining consistent brightness over time.

HIGH LUMEN OUTPUT

Powerful LED Core:

Delivers a full 900 lumens of luminous output – producing the brightness of larger fixtures while maintaining compact form and low energy draw.

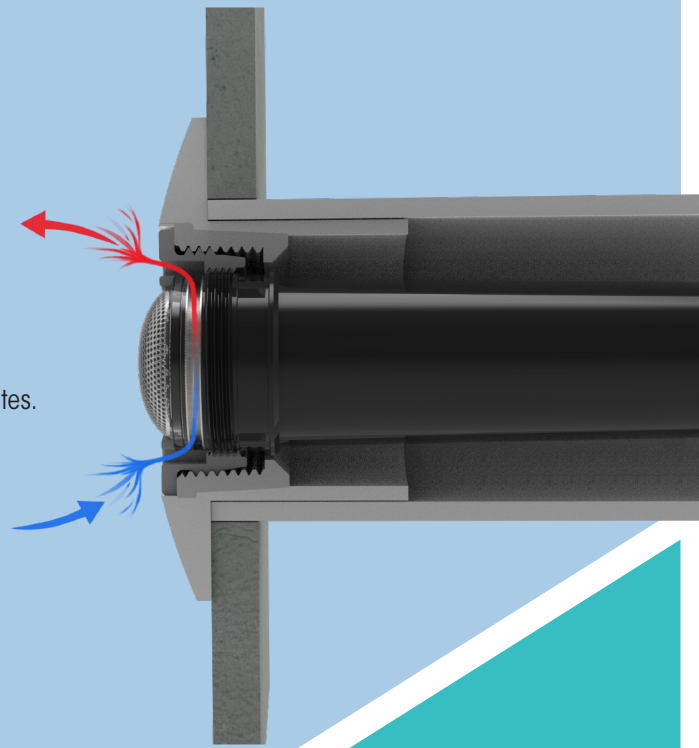
Balanced Beam Geometry:

Paired with the lenticular lens, the output is evenly distributed across the pool floor and walls, creating uniform brightness from edge to edge.

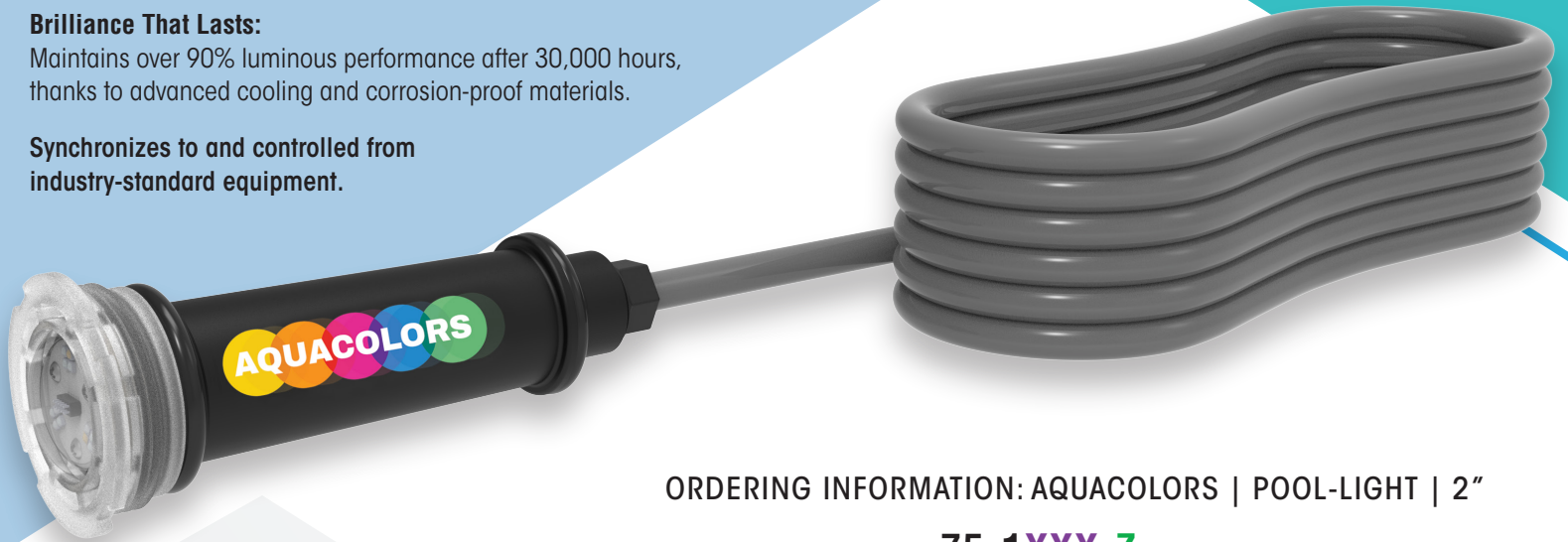
Brilliance That Lasts:

Maintains over 90% luminous performance after 30,000 hours, thanks to advanced cooling and corrosion-proof materials.

Synchronizes to and controlled from industry-standard equipment.



AQUACOLORS
POOL LIGHT
2"



ORDERING INFORMATION: AQUACOLORS | POOL-LIGHT | 2"

75-1XXX-Z

100 Feet Wire
150 Feet Wire

P - P Mode
J - J Mode
H - Mode



POOL LIGHTING SYSTEMS

SwimSense LLC

1021 S Rogers Circle #2, Boca Raton FL 33487

swimsense.shop



2" POOL LIGHT NICHE — BUILT FOR EVERY POOL TYPE

ENGINEERED TO FIT, DESIGNED TO LAST

Our precision-molded light niches provide secure, watertight mounting for your LED pool lights – no matter the pool surface. Each model is crafted for durability, corrosion resistance, and effortless installation.

GUNITE NICHE

PERFECT FOR: GUNITE POOLS

- Fits standard SP1022 fitting



FIBERGLASS NICHE

PERFECT FOR: FIBERGLASS POOLS AND SPAS

- Fits any standard Fiberglass bulkhead fitting with 1.5" thread



VINYL NICHE

PERFECT FOR: VINYL-LINER POOLS

- Fits any standard Vinyl bulkhead fitting with 1.5" thread



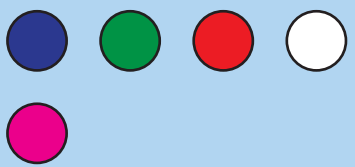


AQUACOLOR LIGHTS ARE AVAILABLE IN P, J OR H MODE

Compact power meets perfectly balanced design in these precision-engineered LED lights, delivering a full 900 lumen of brilliant, energy-efficient illumination that rivals larger fixtures in a refined, space-saving form. Advanced lenticular optics provide consistent light distribution, creating smooth, edge-to-edge coverage across pool walls and floors. Thermally optimized and built with corrosion-resistant materials, they maintain over 90% of their luminous output beyond 30,000 hours for long-lasting performance. Designed for intelligent synchronization, the light integrates seamlessly with industry-standard automation systems for unified control and coordinated lighting effects. Available in P, J, and H modes, it supports dedicated fixed colors and integrated color-show sequences to match your pool environment and control platform.



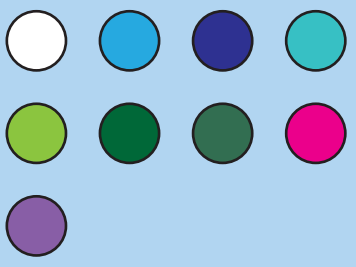
P MODE FIXED COLORS



P MODE COLOR SHOWS



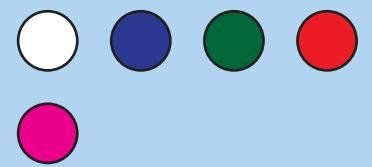
J MODE FIXED COLORS



J MODE COLOR SHOWS



H MODE FIXED COLORS



H MODE COLOR SHOWS



SwimSense LLC
1021 S Rogers Circle #2, Boca Raton FL 33487
swimsense.shop